

User Guide

NebuTech® 8960 Disposable Nebulizer

Disposable | Single Patient Use

The NebuTech 8960 consists of 4 components:

1. Reservoir tower with one-way inspiratory valve.
2. Medication chamber (connects to the reservoir tower).
3. Mouthpiece with one-way exhalation valve.
4. 7 ft or 14 ft gas supply tubing.

A mask adapter is also included for use with an aerosol mask. To prevent loss or misplacement of the adapter, consider slipping adapter over gas supply tubing, or tie adapter to the tubing. You can also place the adapter in a clean equipment bag or bring back to the department and store in an extra parts container.

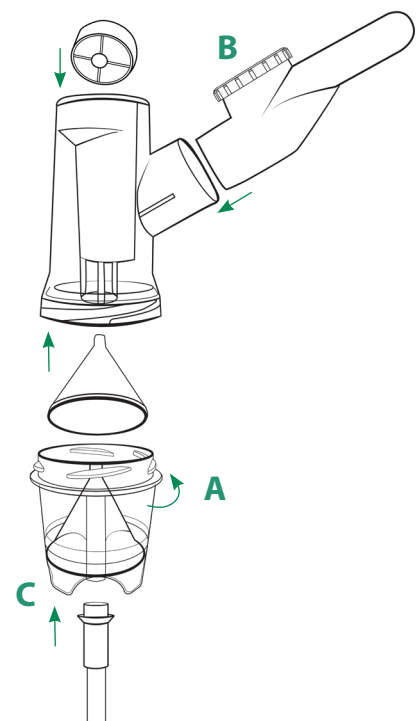
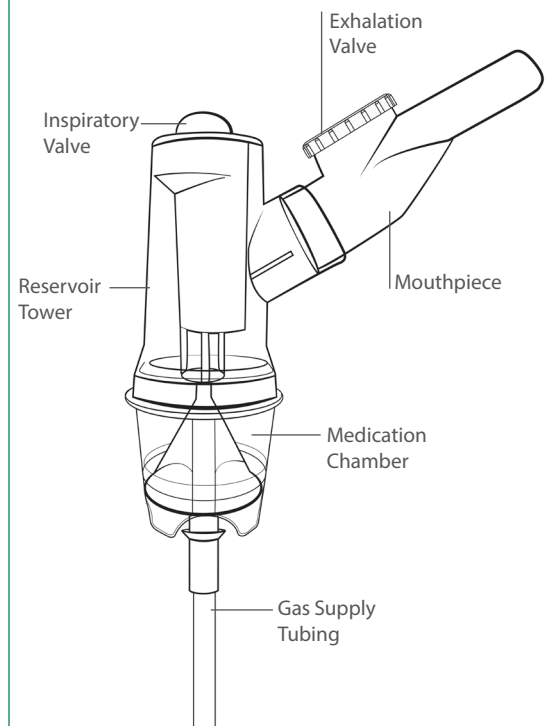
The NebuTech Nebulizer recommended use is up to 7 days.

The NebuTech nebulizer is for single-patient use and is not intended to be reprocessed or autoclaved.

- Follow your facilities policies for cleaning and changing nebulizers.
- If the nebulizer is used for more than one day, consider writing the date on the equipment bag or nebulizer tower with a permanent marker.

Instructions for use

1. Wash your hands. Use an aseptic technique to assemble the nebulizer.
2. Remove the NebuTech Nebulizer from the package.
3. Ensure that the medication chamber is connected tightly to the reservoir tower (A).
4. Insert the mouthpiece into the side elbow on the reservoir tower (B).
 - Ensure that the exhalation valve is facing upward.
5. Attach the gas supply tubing to the connector port at the bottom of the medication chamber (C).
 - Ensure connections are on tight and secure.

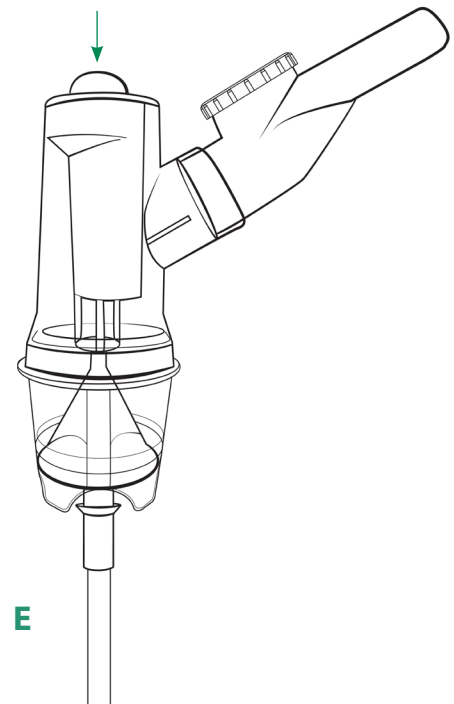
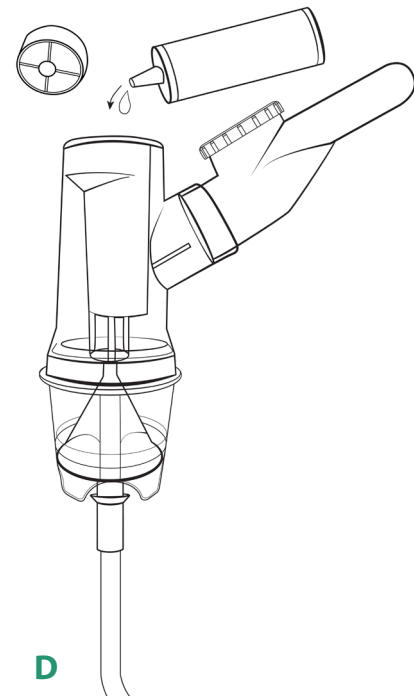


Instruction for use, continued

6. To add prescribed medication, do not unscrew medication chamber. Remove the inspiratory valve and instill medication through the top (D).
 - Any medication indicated for use with small-volume jet nebulizer can be used with the NebuTech.
 - Maximum medication volume is 5 mL.
 - Do not instill medication through the side elbow because medication can be caught in the drool catcher.
 - Replace inspiratory valve after adding medication (E).
7. To start treatment set flow rate at 4 LPM to 8 LPM (25 PSI to 52 PSI)
 - For optimal performance use a flow rate of 8 LPM.
 - 3.0 mL of medication will nebulize approximately 4 minutes @ 8 LPM.
8. After treatment, shake out excess fluid.
9. Follow hospital's policy for storage and cleaning of nebulizers between treatments.

Treatment Tips

1. If the nebulizer does produce a heavy aerosol, tap the sides of the medication chamber to ensure the green cone is seated properly. Ensure that the medication cup is screwed on tightly to the reservoir tower.
2. Instruct patient to keep their lips sealed around mouthpiece during inspiration and exhalation.
3. Ensure nebulizer is in a position upright or greater than a 45 degree angle.
4. After each treatment, shake out any residual medication.
5. If the nebulizer has been in use for the several days, the capillary tube of the nebulizer may be partially occluded. Replace nebulizer.
6. Ensure the exhalation valve on mouthpiece is upright to prevent moisture dripping on patient.



To Use the Nebulizer with a Mask

1. Remove the mouthpiece and place in respiratory equipment bag, in case you need it later.
2. Remove the inspiratory valve and place on the side elbow port. (A) . To ensure a proper fit, push and turn the valve into the side port .
3. Keep the nebulizer upright. Add the prescribed medication through top of the reservoir tower (B).
4. Insert mask connector into the top of the reservoir tower (C).
 - If not using a Salter Labs aerosol mask, use the universal mask adapter included in package to connect the mask to the nebulizer.
5. Set the flow rate from 5 LPM to 8 LPM (25 PSI to 52 PSI) to begin the treatment.
6. Apply the mask to the patient

Alternative Mask Placements

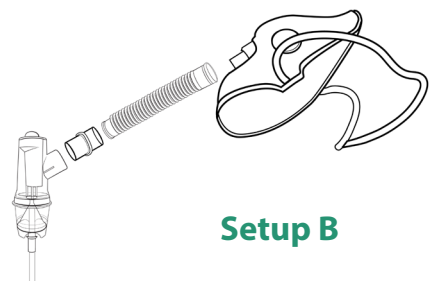
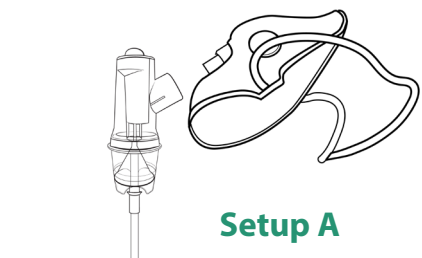
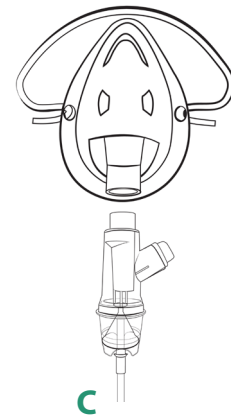
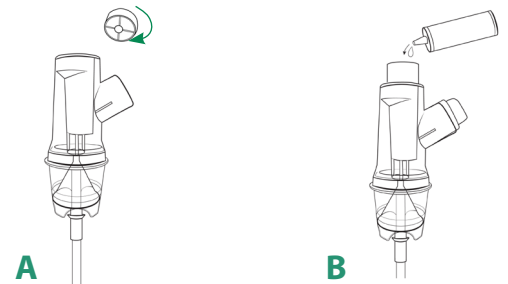
If the patient is unable to sit upright or is in a semi-fowlers position, attach the mask to the nebulizer's side port.

Setup A

1. Connect mask to the side port.

Setup B

1. Additional equipment is required. Gather a standard 15 mm ID / 22 mm OD adapter and a 6 inch corrugated aerosol tubing with 22 mm ID.
2. Attach adapter to side port.
3. Attach one end of corrugate tubing to the adapter and the other end to the aerosol mask.



Suggested Cleaning Instructions for Hospital Use

Cleaning procedures may vary depending on the patient population, disease process and hospital infection control policies. Always follow the facility's policy and procedure for the delivery of aerosol treatments and for the cleaning of equipment. SunMed recommended cleaning procedures are provided below. The NebuTech Nebulizer is for single-patient use and should be replaced every 7 days, or after 21 cleaning cycles, whichever is first. Replace the nebulizer sooner if the it becomes damaged, contaminated or is not functioning properly.

Cleaning Method

After each use, thoroughly rinse the nebulizer with sterilized water. DO NOT submerge the supply tubing in water.

1. Disassemble all nebulizer components; do not remove any of the one-way valves.
2. Rinse with sterilized water, shake out any excess.
3. Allow the device to dry.
4. Re-assemble and place in a dry, dust free location.
5. Replace the nebulizer every 7 days, or after 21 cleaning cycles, whichever is first.